

IS 3360

V3 KNX - in-ceiling installation, sq. white
 EAN 4007841 079642
 Article number 079642



infrared sensor
360°



max. 20 m



KNX



IP20



2 - 1000 lux



1-255 min



ideal 2,5 - 4 m

Teach

Teach mode



energy saving

5 years

manufacturer's
warranty steinel-
professional.de/
garantie

Function description

Higher, further, faster. Infrared presence detector IS 3360 for indoors and out, ideal for watching over high spaces and large areas, such as multi-storey and underground car parks, installation height up to 4 m, 360° angle of coverage, reach 20 m max. (tangential). Available either in round or square surface-mounted, concealed or In-ceiling installation.

Technical specifications

Dimensions (L x W x H)	121 x 94 x 94 mm
With motion detector	Yes
Manufacturer's Warranty	5 years
Settings via	ETS software, Remote control, Bus, Smart Remote
Version	KNX - in-ceiling installation, sq. white
PU1, EAN	4007841079642
Type	Motion and Presence Detector
Application, place	Indoors
Application, room	production facilities, recreation room, changing room, function room / ancillary room, sports hall, reception / lobby, stairwell, WC / washroom, multi-storey / underground car park, warehouse, Indoors
Colour	white
Colour, RAL	9003
Includes corner wall mount	No

Detection angle	360 °
Angle of aperture	180 °
Sneak-by guard	Yes
Capability of masking out individual segments	Yes
Electronic scalability	No
Mechanical scalability	No
Reach, radial	Ø 8 m (50 m ²)
Reach, tangential	Ø 40 m (1257 m ²)
Reach, presence	Ø 3 m (7 m ²)
Switching zones	1416 switching zones
Twilight setting	2 – 1000 lx
Time setting	0 s – 1092 Min.
Basic light level function	Yes
Main light adjustable	0 - 100 %
Twilight setting TEACH	Yes
Constant-lighting control	Yes

IS 3360

V3 KNX - in-ceiling installation, sq. white
 EAN 4007841 079642
 Article number 079642



Technical specifications

Installation site	ceiling
Installation	In-ceiling installation, Ceiling
IP-rating	IP20
Ambient temperature	from -20 up to 50 °C
Material	Plastic
Power supply, detail	KNX bus
With bus coupling	Yes
Technology, sensors	passive infrared, Light sensor
Mounting height	2,50 – 4,00 m
Mounting height max.	4,00 m
Optimum mounting height	2,8 m

KNX functions	Photo-cell controller, Basic light level function, Light level, HVAC output, Constant-lighting control, Light output 2x, Presence output, Day / night function, Logic gate
Interconnection	Yes
Type of interconnection	Master/slave
Interconnection via	KNX bus
Rated current	12,5 mA
Product category	Presence detector

Accessories

EAN 4007841 009151	Remote control Smart Remote
EAN 4007841 593018	Service remote control RC6 KNX
EAN 4007841 592912	User remote control RC7 KNX
EAN 4007841 056728	Black cover for IR-sensors

IS 3360

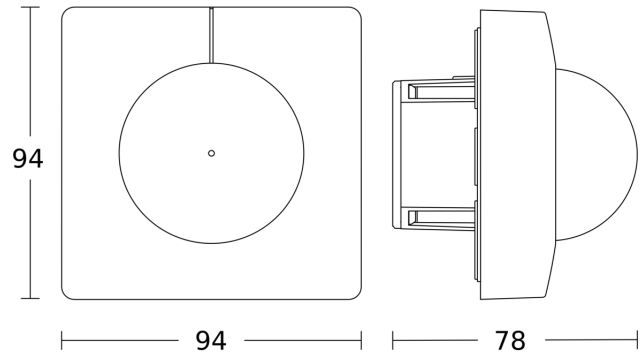
V3 KNX - in-ceiling installation, sq. white
EAN 4007841 079642
Article number 079642

Detection Zone

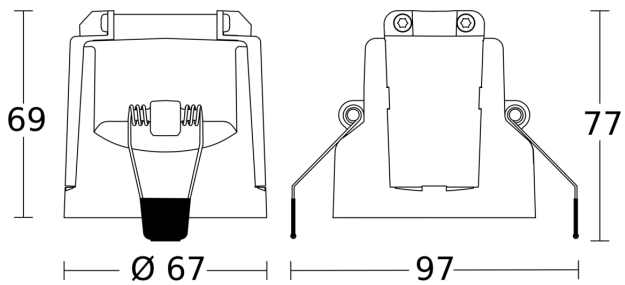


Possible mounting height: 2,50 m - 4,00 m
Orange: radial
Black: tangential

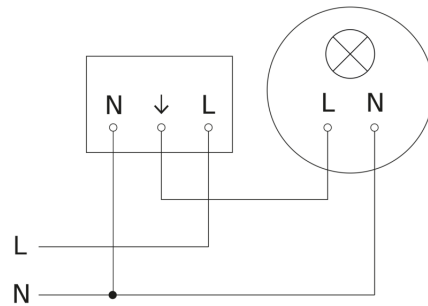
Dimension Drawing 1



Dimension Drawing 2



Master circuit diagram



IS 3360

V3 KNX - in-ceiling installation, sq. white
EAN 4007841 079642
Article number 079642

Master/slave interconnection circuit diagram

